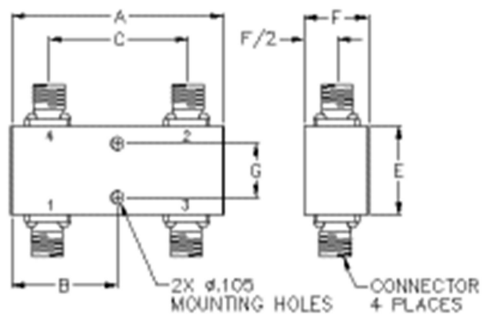
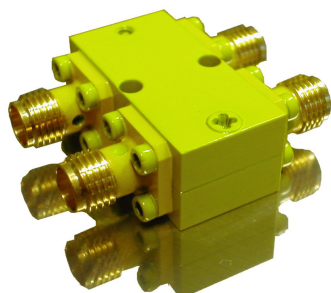


COUPLER HYBRIDE 90°

MODEL NUMBER	FREQUENCY RANGE (GHz)	INSERTION LOSS (dB Max.)	ISOLATION (dB Min.)	VSWR (dB MAX.)	AMP. BALANCE +/- dB Max.	PHASE BALANCE +/- Degrees Max.	AVERAGE POWER (Watts) Load VSWR	OUTLINE NUMBER
PH2-0.47-0.87-30	0.47-0.87	3.2 ± 0.3	28	1.15:1	1.2	3.0	30@1.2:1	PH2-1
PH2-0.5-1-30	0.5-1.0	3.2 ± 0.3	28	1.15:1	1.2	3.0	30@1.2:1	PH2-1
PH2-0.4-2-30	0.4-2.0	3.5 ± 0.6	20	1.30:1	1.0	6.0	30@1.2:1	PH2-6
PH2-1-2-30	1.0-2.0	3.2 ± 0.3	28	1.15:1	1.2	3.0	30@1.2:1	PH2-2
PH2-0.6-2.6-30	0.6-2.6	3.4 ± 0.5	20	1.30:1	1.4	4.0	30@1.2:1	PH2-5
PH2-2-4-30	2.0-4.0	3.2 ± 0.3	22	1.20:1	1.2	4.0	30@1.2:1	PH2-7
PH2-2.6-5.2-30	2.6-5.2	3.2 ± 0.3	20	1.25:1	1.2	4.0	30@1.2:1	PH2-8
PH2-2-8-30	2.0-8.0	3.4 ± 0.5	17	1.30:1	1.6	6.0	30@1.2:1	PH2-3
PH2-4-8-30	4.0-8.0	3.3 ± 0.3	18	1.25:1	1.4	4.0	30@1.2:1	PH2-2
PH2-6-12.4-30	6.0-12.4	3.4 ± 0.8	17	1.40:1	1.4	6.0	30@1.2:1	PH2-8
PH2-7.5-16-30	7.5-16.0	3.6 ± 0.8	15	1.40:1	1.4	8.0	30@1.2:1	PH2-8
PH2-4-18-30	4.0-18.0	3.5 ± 0.8	15	1.50:1	1.6	8.0	30@1.2:1	PH2-4
PH2-12-18-30	12.0-18.0	3.6 ± 0.8	15	1.40:1	1.4	8.0	30@1.2:1	PH2-8



OUTLINE	CONN.	A		B		C		D		E		F		G	
		Inch	mm.	Inch.	mm.	Inch	mm.	Inch	mm.	Inch	mm.	Inch	mm.	Inch	mm.
PH2-7	SMA	1.15	29.2	.57	14.5	.65	16.5	.31	7.9	.50	12.7	.40	10.2	.26	6.6
PH2-8	SMA	1.00	25.4	.50	12.7	.50	12.7	.31	7.9	.50	12.7	.40	10.2	.25	6.4
PH2-1	SMA	3.06	77.7	.84	21.3	2.56	65.0	1.37	34.8	.50	12.7	.50	12.7	.25	6.4
PH2-2	SMA	1.78	45.2	.64	16.3	1.28	32.5	0.50	12.7	.50	12.7	.50	12.7	.25	6.4
PH2-3	SMA	2.60	66.0	.67	17.0	2.03	51.6	1.26	32.0	.75	19.1	.40	10.2	.29	7.4
PH2-4	SMA	1.55	39.4	.60	15.2	1.05	26.7	0.50	12.7	.60	15.2	.40	10.2	.25	6.4
PH2-5	SMA	6.70	170.2	1.42	36.2	6.00	152.4	3.84	97.5	.75	19.1	.44	11.2	.25	6.4
PH2-6	SMA	7.64	194.1	1.90	48.3	7.07	179.6	3.84	97.5	.75	19.1	.44	11.2	.29	7.4