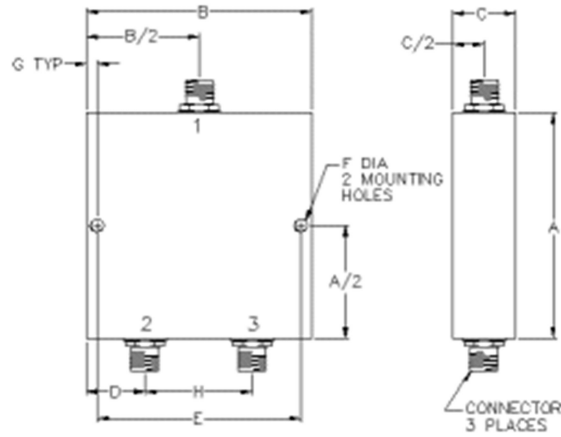


## POWER DIVIDERS: 2 WAYS

P/N	FREQUENCY RANGE (GHz)	INSERTION LOSS (dB Max.)	ISOLATION (dB Min.)	VSWR (dB MAX.)	AMP. BALANCE +/- dB Max.	PHASE BALANCE +/- Degrees Max.	OUTLINE NUMBER
PD2-0.47-0.87-30	0.47-0.87	0.5	19	1.30:1/1.25:1	0.2	2	PD2-1
PD2-0.8-0.9-30	0.8-0.9	0.4	28	1.30:1/1.20:1	0.2	2	PD2-1
PD2-0.5-1-30	0.5-1.00	0.3	22	1.23:1/1.15:1	0.2	2	PD2-1
PD2-0.7-2.3-30	0.7-2.3	0.5	20	1.45:1/1.25:1	0.2	2	PD2-3
PD2-1-2-30	1.00-2.00	0.35	20	1.25:1/1.15:1	0.2	2	PD2-4
<b>PD2-3-4.2-30</b>	<b>3.0-4.2</b>	<b>0.5</b>	<b>20</b>	<b>1.35:1/1.30:1</b>	<b>0.2</b>	<b>3</b>	<b>PD2-8</b>
PD2-3.4-6.6-30	3.4-6.6	0.4	22	1.20:1/1.20:1	0.2	3	PD2-8
PD2-6-8-30	6.0-8.0	0.6	20	1.35:1/1.35:1	0.2	3	PD2-8
PD2-7-12.4-30	7.0-12.4	0.7	16	1.70:1/1.70:1	0.6	8	PD2-8
PD2-8-12.4-30	8.0-12.4	0.5	20	1.35:1/1.30:1	0.2	3	PD2-8
PD2-10.2-14.5-30	10.2-14.5	0.8	19	1.40:1/1.40:1	0.3	6	PD2-8
PD2-1.5-3-30	1.5-3.0	0.35	18	1.35:1/1.25:1	0.2	3	PD2-4
PD2-2-4-30	2.0-4.0	0.4	20	1.30:1/1.20:1	0.2	2	PD2-8
PD2-3-6-30	3.0-6.0	0.7	18	1.40:1/1.30:1	0.3	6	PD2-8
PD2-4-8-30	4.0-8.0	0.6	20	1.35:1/1.25:1	0.2	2	PD2-8
PD2-8-18-30	8.0-18.0	0.6	19	1.40:1/1.35:1	0.2	3	PD2-8
PD2-2-6-30	2.0-6.0	0.7	16	1.40:1/1.30:1	0.3	6	PD2-8
PD2-0.5-2-30	0.5-2.0	0.6	22	1.25:1/1.15:1	0.2	2	PD2-2
PD2-0.5-2.5-30	0.5-2.5	0.6	22	1.25:1/1.15:1	0.2	2	PD2-2
PD2-2-8-30	2.0-8.0	0.6	20	1.35:1/1.35:1	0.3	4	PD2-6
PD2-2-18-30	2.0-18.0	1.2	19	1.40:1/1.40:1	0.3	6	PD2-9
PD2-0.3-3-10	0.3-3.0	1	22	1.35:1/1.40:1	0.4	6	PD2-3
PD2-0.45-5-30	0.45-5.0	0.5	18	1.25:1/1.20:1	0.3	3	PD2-3
PD2-0.4-6-30	0.4-6.0	1.3	18	1.50:1/1.50:1	0.5	8	PD2-10
PD2-0.8-2.2-30	0.8-2.2	0.7	20	1.30:1/1.25:1	0.5	4	PD2-10
PD2-6-18-30	6.0-18.0	0.8	18	1.40:1/1.35:1	0.3	4	PD2-8
PD2-0.5-18-30	0.5-18.0	1.7	19	1.50:1/1.40:1	0.6	10	PD2-10

- Custom Design for Higher Isolation Available. Contact Manufacturer For Other Specifications
- Power divider rating 30 watts max for load better than 1.2:1
- Standard connector is SMA female and add suffix for specific ( N : N female, T: TNC female, B: BNC female)



OUTLINE	CONN	A		B		C		D		E		F		G		H	
		Inch.	mm.	Inch	mm.	Inch	mm.	Inch	mm.	Inch	mm.	Inch.	mm.	Inch.	mm.	Inch	mm.
PD2-1	SMA	2.10	53.3	2.10	53.3	0.50	12.7	0.55	14	1.90	48.3	0.125	3.2	0.100	2.5	1.00	25.4
PD2-2	SMA	2.00	50.8	1.50	38.1	0.50	12.7	0.48	12.2	1.25	31.8	0.125	3.2	0.125	3.2	0.55	14
PD2-3	SMA	2.48	63.0	2.00	50.8	0.50	12.7	0.35	8.90	1.70	43.2	0.125	3.2	0.125	3.2	1	25.4
PD2-4	SMA	1.25	31.8	1.50	28.1	0.50	12.7	0.48	12.2	1.30	33	0.125	3.2	0.100	2.5	0.55	14
PD2-6	SMA	1.60	40.6	1.25	31.8	0.40	10.2	0.38	9.7	1.05	26.7	0.104	2.6	0.100	2.5	0.50	12.7
PD2-8	SMA	0.80	20.3	1.04	26.4	0.40	10.2	0.27	6.9	0.80	20.3	0.125	3.2	0.120	3.1	0.50	12.7
PD2-9	SMA	1.80	45.7	1.05	26.7	0.40	10.2	0.25	6.4	0.90	22.9	0.100	2.5	0.075	1.9	0.50	12.7
PD2-10	SMA	5.90	149.9	1.00	25.4	0.40	10.2	0.25	6.4	0.80	20.3	0.125	3.2	0.100	2.5	0.50	12.7